

VARIODECK

Steel Waler Slab Tables



Edition 04/2010

PERI GmbH
Formwork Scaffolding Engineering

P.O. Box 1264
89259 Weissenhorn
Germany
Tel +49 (0)73 09.9 50-0
Fax +49 (0)73 09.9 51-0
info@peri.com
www.peri.com

Important Notes:

Without exception, all current safety regulations must be observed in those countries where our products are used.

The illustrations in this brochure are photographs of real site situations. Safety or anchor details are therefore not to be taken as a definitive guide to the way the equipment is to be used.

Safety instructions and load specifications are to be strictly observed at all times. Separate structural calculations are required for any deviations from the standard design data.

The information contained herein is subject to technical changes in the interests of progress. Errors and typographical mistakes reserved.

Content

VARIDECK Steel Waler Slab Tables

- 2 Large forming areas moved quickly
- 4 Refined details for faster forming
- 6 Moving, vertically and horizontally
- 7 ML Material Lifter, RCS Landing Platform
- 8 Beams
- 9 Tables
- 10 Components
- 20 PERI International

VARIODECK Steel Waler Slab Table

Large forming areas moved quickly

The PERI VARIODECK Steel Waler Slab Table is the consistent further development of the VT Table Module.

The longitudinal Steel Waler SRU, Profile U 120, allows large cantilevers and can accommodate heavy prefabricated parts, e.g. parapet elements.

Through the use of the tables at the slab edge, the working platform is already integrated in the system and no additional platform is required.

■ Table size up to 15.90 m² with only 4 slab props

The table size of 2.50/2.65 x 6.00 m is an important factor regarding the shuttering times because 15.90 m² of slab formwork can then be moved.

The following table sizes are available:

■ Table length 6.00 m

Width 2.00/2.15 m and 2.50/2.65 m

■ Table length 4.00 m

Width 2.00/2.15 m and 2.50/2.65 m

■ Slab thicknesses up to 50 cm

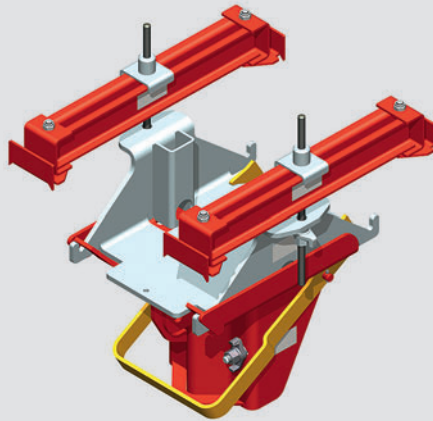
VARIODECK tables are used for slabs up to 50 cm thick and always require only 4 slab props. This corresponds to a maximum 4.0 m² of slab area per prop. If necessary, thicker slabs can also be formed with correspondingly more support.



VARIODECK steel waler slab table with dimensions of 2.50/2.65 x 6.00 m requires only 4 slab props. This corresponds to a maximum 4 m² of slab per prop.

■ **Table Swivel Head**

With the VARIODECK Swivel Head, the props are simply folded up when moving the slab tables. The head also allows assembly of, e.g. trapezoidal tables, with all PERI wooden formwork girders and SRU walers in different combinations. The mounting of MP or PEP slab props results in a very rigid connection and thus allows maximum load transfer.



The separating of the VARIODECK swivel head allows sequenced forming operations. The lower part of the table swivel head can be mounted in advance on the slab props.

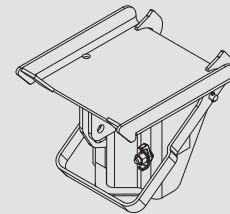
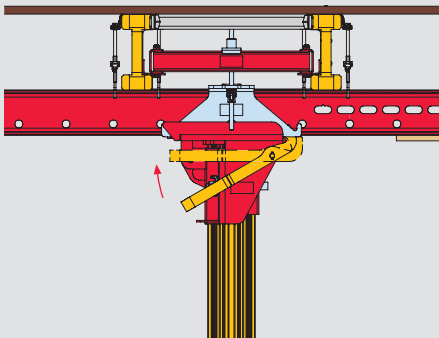


Table Swivel Head, Lower Part
Item no. 100956

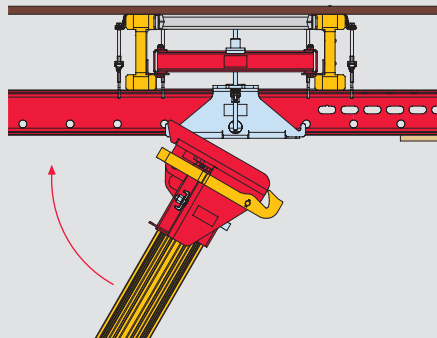
■ **Table Swivel Head folding sequence**

For moving over parapets or moving under beams.



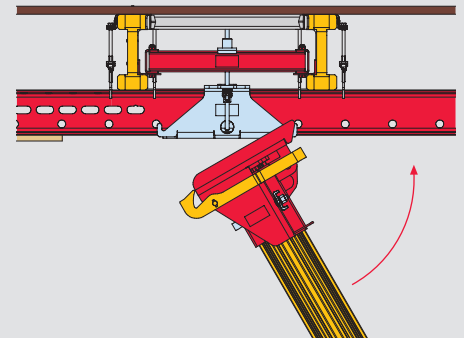
1. Pivot up bar

A board can be used to reach higher tables from the slab below.



2. Fold up prop

The table can now be moved out. The swivel head's bar re-locks when the prop is allowed to swing down again.

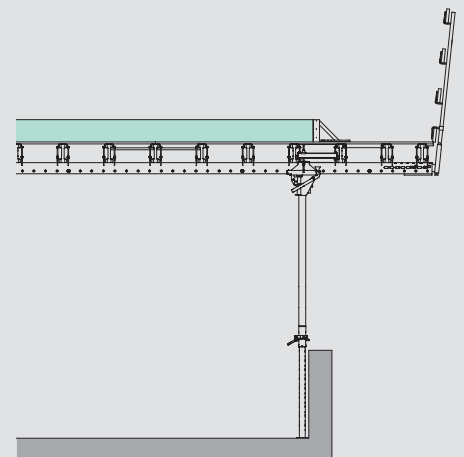
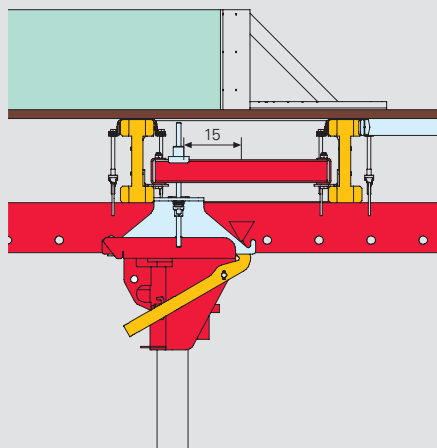


Folding direction

The VARIODECK swivel head allows the slab prop to be pivoted in both directions.

■ **Flexible adaptation with the Table Swivel Head**

The table Schwenkkopf is continuously adjustable by ± 15 cm and can be moved from field to field. This allows perfect adaptation to static and geometrical requirements.



With a minimum of effort, the lower part of the table swivel head can be moved together with the slab prop by ± 15 cm.

VARIODECK Steel Waler Slab Tables

Refined details for faster forming

The VARIODECK steel waler slab table is a useful supplement to the PERI slab table programme. Large, rentable slab tables are available with the new Swivel Head VD.



■ Slab props, falsework

Depending on the slab thickness, PEP or the high load-bearing MULTIPROP MP props (MP 625 max. L = 6.25 m) are used.

For larger room heights, the rentable PERI load-carrying systems MULTIPROP or PERI UP Rosett can be utilised.



■ Maximum utilisation height

MULTIPROP system max. H = 14.40 m
PERI UP Rosett max. H = 21.89 m

■ Robust construction

The new edge protector prevents damaging the formlining when moving the tables with standard construction site lifting chains.

The steel cap and rounded web make the PERI VT 20K girder extremely robust and durable.



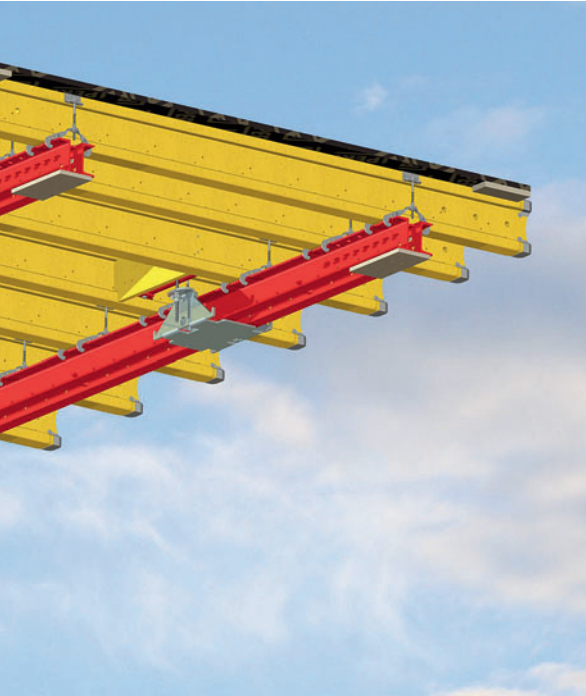
The securely-mounted edge protector provides reliable protection against damage to the formlining.

■ Transportation

Due to the low overall height of only 36 cm, 20% less transportation and storage volumes are required than for slab tables with main beams consisting of 20" wooden girders. The securely-mounted support timbers provide the necessary protection for the formlining when stacked and during transport.



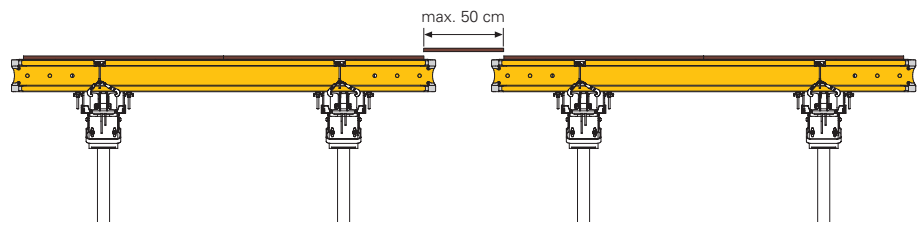
14 VD 250/265 x 600 tables, 223 m², are transportable on one truck.



VARIODECK slab tables are completely pre-assembled with edge protector and stacking timbers on the SRU steel waler.

■ **Simple width compensation**

Formlining for the filler areas can easily be installed on the 7.5 cm girder cantilever without any accessories. Infill areas up to 50 cm wide are taken into consideration in the tables.



■ **Connecting accessories**

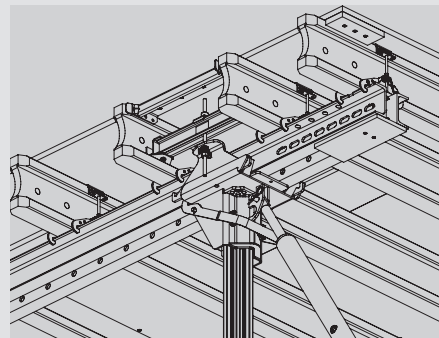
The VARIODECK table provides simple connection solutions for accessories such as the guardrail post, STLB tension belt, tensioning chain or push-pull prop on slab edge tables.

■ **Bracing slab tables**

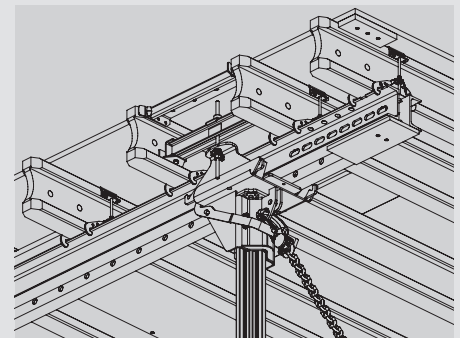
If the VD tables are cantilevered on the slab edge, bracing must be attached as a safeguard against tipping on the other end of the table. In addition, this bracing must accommodate the horizontal forces from the slab stopend formwork.



By means of the Guardrail Holder SRU/SRZ and the Guardrail Post SGP, guardrails on the slab edge are mounted.



Bracing with Push-Pull Prop RS.



Bracing with Tension Belt STLB or chain.

VARIODECK Steel Waler Slab Tables

Moving, vertically and horizontally

■ Vertical movement of the table

The tables are transported from floor to floor by means of the PERI lifting fork. The integrated compensation mechanism ensures that the fork remains in a horizontal position when loaded and unloaded.

This ensures a high degree of safety during forming because switching from an "unloaded to loaded" status is not required.

The Lifting Fork 1.75 t/8,0 m for moving the 6.00 m long VD slab tables.



■ Horizontal movement of the table

When horizontally moving the tables, the Table Trolley 2 t or the Table Lift Truck PTL 1250 are used. The latter offers fatigue-free and comfortable working procedures due to the electric drive and the hydraulic lifting device.

VARIODECK tables are moved on the MULTIPROP system with the trolley and winch unit, and by means of the Rosett transportation wheel if on PERI UP shoring.

The PERI Table Lift PTL 1250

- One-man operation.
- Flexible manoeuvring due to the 4-way directional drive.
- Simple changeover 0° - 90° to transversal moving by means of control lever.
- Slab tables up to a weight of 1250 kg can be safely moved.

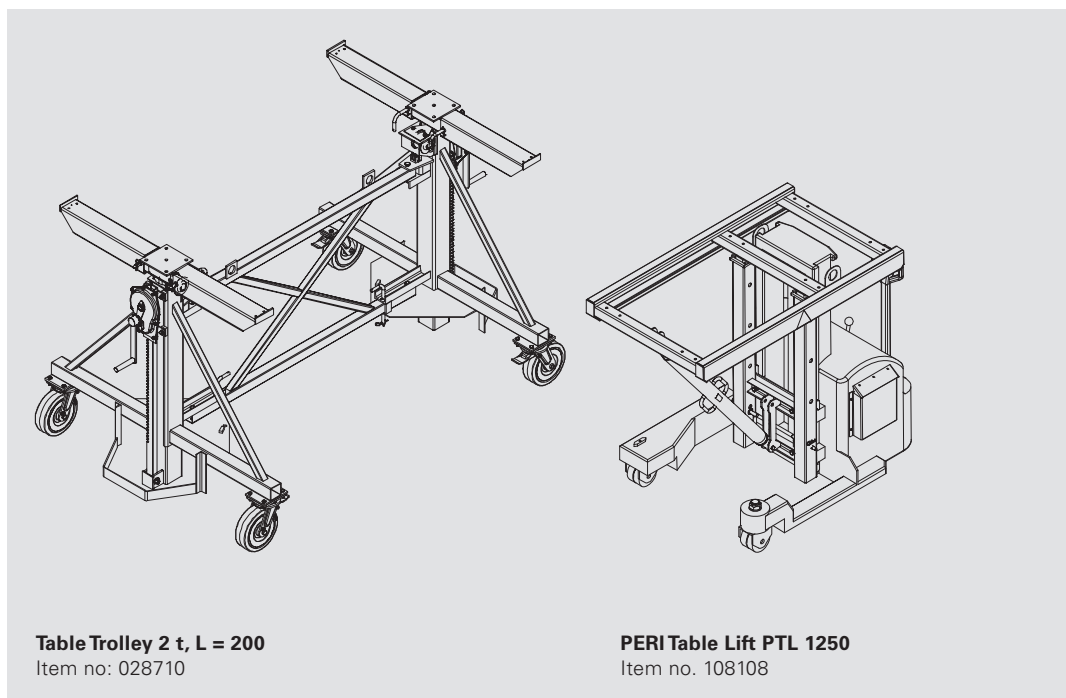


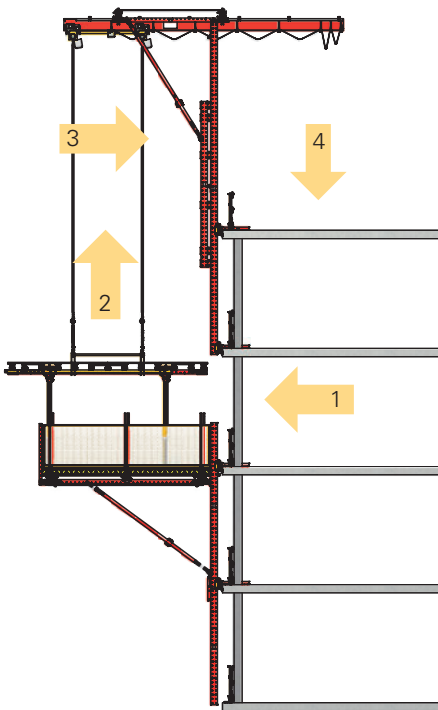
Table Trolley 2 t, L = 200
Item no: 028710

PERI Table Lift PTL 1250
Item no. 108108

ML Material Lifter, RCS Landing Platform

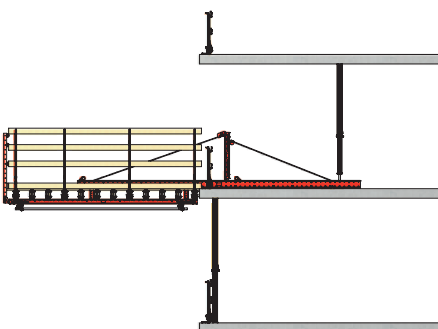
■ **RCS ML Material Lifter for crane-independent moving of PERI slab tables.**

It allows moving over several floors, e.g. when using 2 sets of formwork.



■ **RCS Landing Platform for moving slab tables with the crane.**

The platform can be freely positioned at any place in the building.

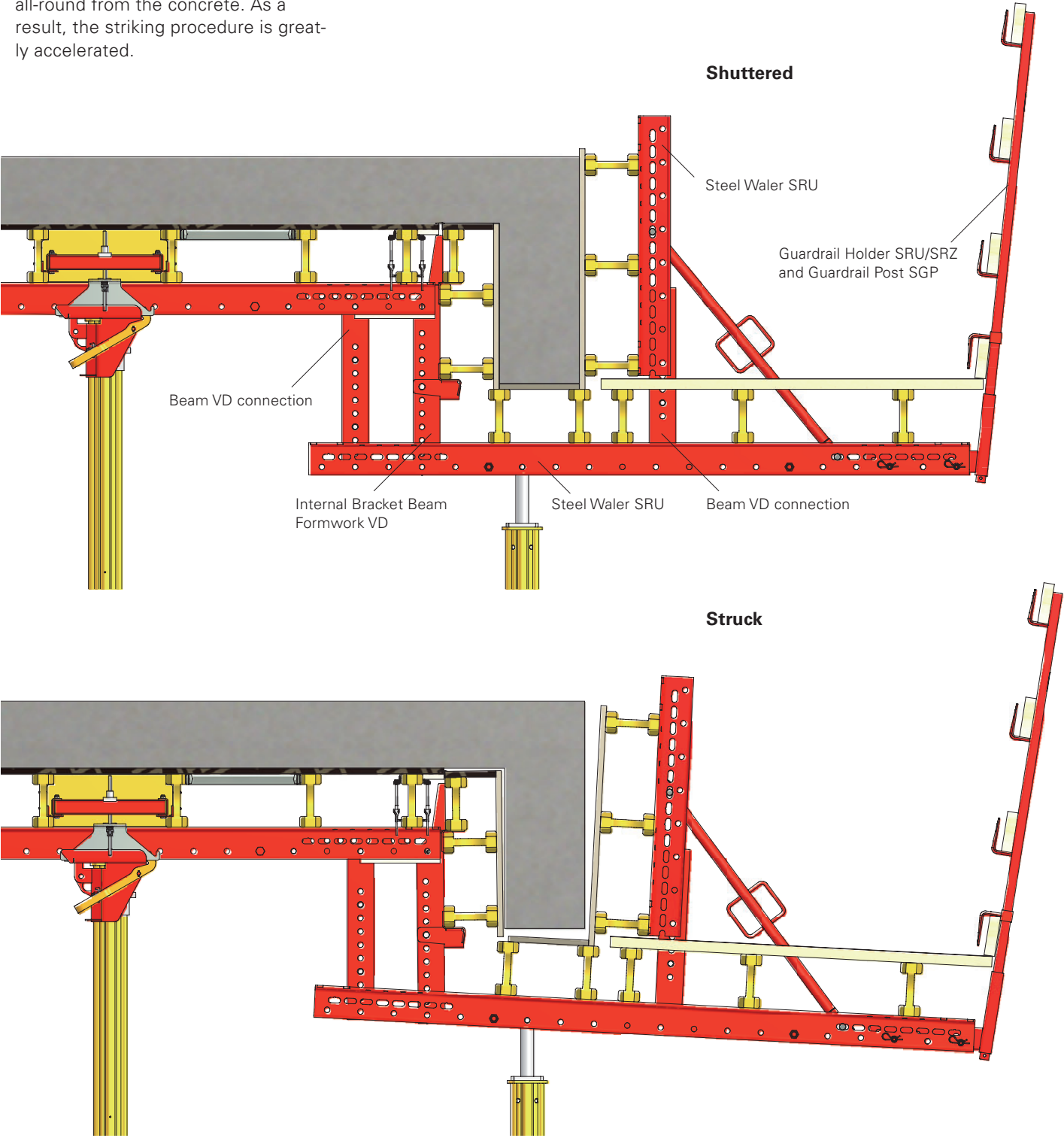


VARIODECK Steel Waler Slab Tables

Beams

■ **Beams**

The new VD beam system can be attached to the VARIODECK slab tables. When lowering the props, the formwork separates automatically and all-round from the concrete. As a result, the striking procedure is greatly accelerated.



Tables

Existing prop loads [kN]

Table VD L = 6.00 m	VD 200/215 x 600		VD 250/265 x 600	
Slab Thickness [m]	Width of Influence EB [m]			
		2,20	2,70	2,70
0,20	23,4	28,8	28,8	33,6
0,25	27,5	33,7	33,7	39,4
0,30	31,5	38,7	38,7	45,2
0,35	36,0	44,2	44,2	51,5
0,40	40,5	49,7	49,7	57,9
0,45	44,9	55,1	55,1	64,3
0,50	49,4	60,6	60,6	70,7

Table VD L = 4.00 m	VD 200/215 x 600		VD 250/265 x 600	
Slab Thickness [m]	Width of Influence EB [m]			
		2,20	2,70	2,70
0,20	15,6	19,2	19,2	22,4
0,25	18,3	22,5	22,5	26,2
0,30	21,0	25,8	25,8	30,1
0,35	24,0	29,5	29,5	34,4
0,40	27,0	33,1	33,1	38,6
0,45	29,9	36,8	36,8	42,9
0,50	32,9	40,4	40,4	47,1

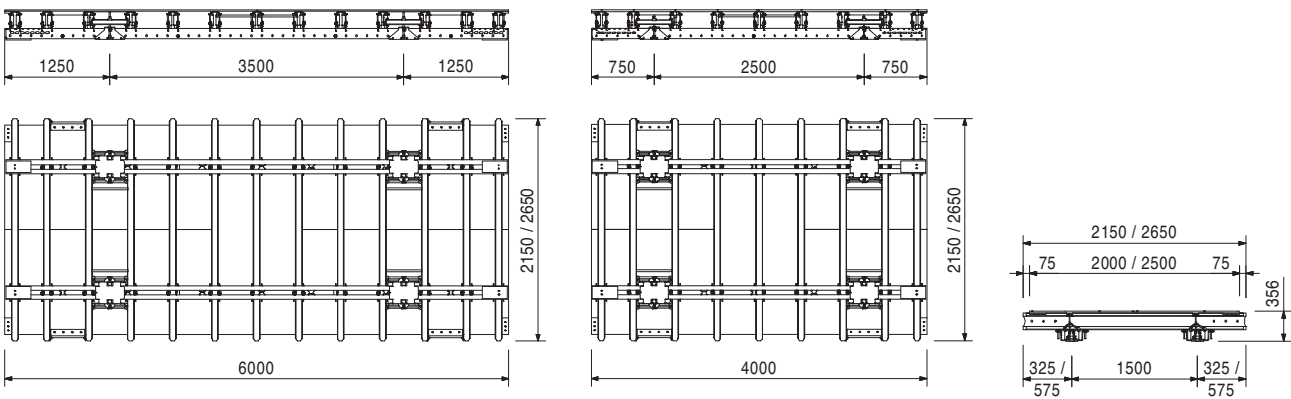
Load according to DIN EN 12812:

- Dead load Q_1 = 0,25 kN/m²
- Concrete load $Q_{2,b}$ = 24,5 kN/m³ x d (m)
- Live load
- Working operations $Q_{2,p}$ = 0,75 kN/m²
- Live load = 0,1 x $Q_{2,b}$ (mit 0,75 kN/m² < Q_4 < 1,75 kN/m²)
- Concreting Q_4 = $Q_1 + Q_{2,b} + Q_{2,p} + Q_4$

Total load

Note:

Intermediate values of the permissible loads and resultant leg loads may be interpolated linearly.
Maximum deflection in accordance with DIN 18218, Table 3, Line 6.



VARIODECK Steel Waler Slab Table



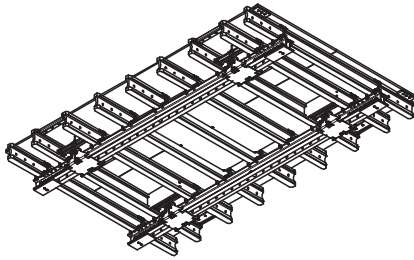
Item no.	Weight kg
117336	549,000
117337	603,000

Tables VD 400

Table VD 200/215 x 400

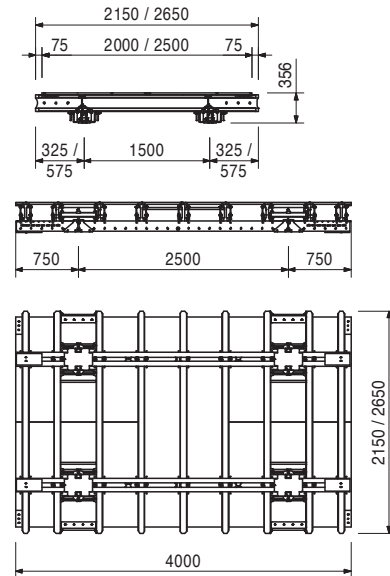
Table VD 250/265 x 400

Pre-assembled, rentable slab table.
Plywood 21 mm.



Complete with

8 pc. 117176 Table Head Upper Part VD
4 pc. 117185 Table Head Middle Part VD



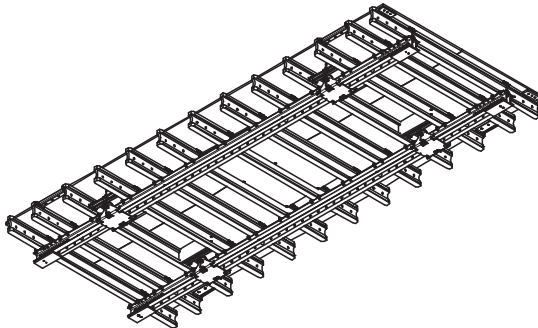
117193	767,000
117308	845,000

Tables VD 600

Table VD 200/216 x 600

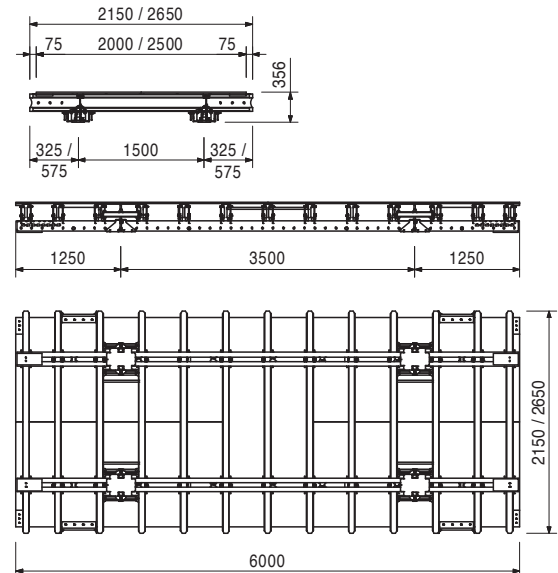
Table VD 250/265 x 600

Pre-assembled, rentable slab table.
Plywood 21 mm.



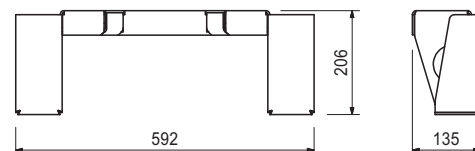
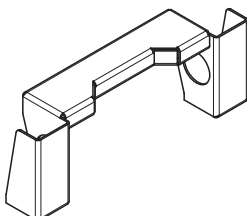
Complete with

8 pc. 117176 Table Head Upper Part VD
4 pc. 117185 Table Head Middle Part VD



117189	2,200
--------	-------

Edge Protector, galv.



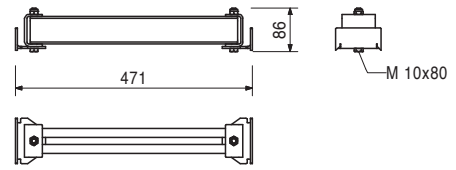
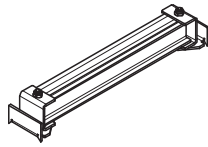
VARIODECK Steel Waler Slab Table



Item no.	Weight kg
117176	3,080

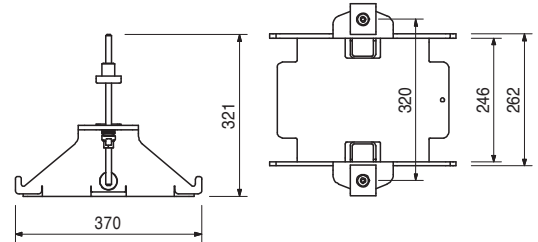
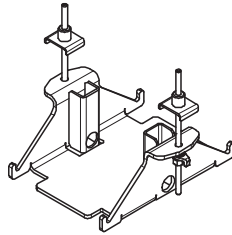
Table Head Upper Part VD
For assembling PERI Slab Tables.

Note
Always use in pairs.



117185	10,500
--------	--------

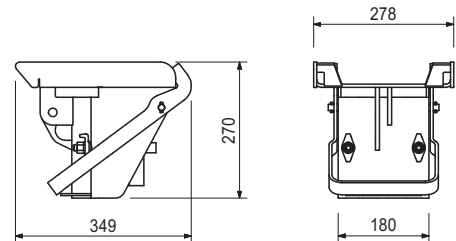
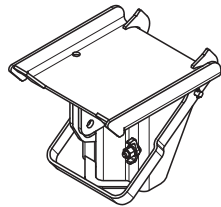
Table Head Middle Part VD
For assembling PERI Slab Tables.



100956	11,900
--------	--------

Table Swivel Head, Lower Part
For assembling PERI Table Module VT. With quick-release clamp for slab props from \varnothing 57 mm as well as PERI MULTIPROP props.

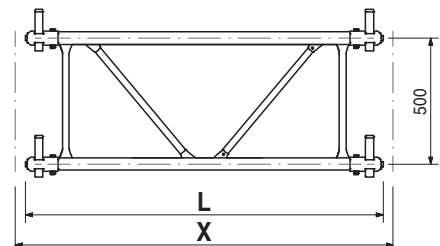
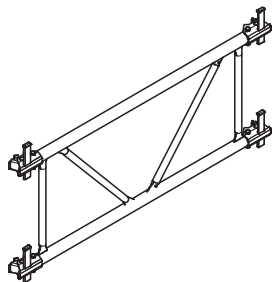
Technical Data
Bearing capacity 56.0 kN.



028350	16,300
117358	17,000

MULTIPROP Frames MRK
Frame MRK 150
Frame MRK 350
Bracing frame for MULTIPROP Slab Prop. For connecting to outer and inner tube. With captive wedge coupling.

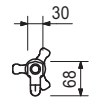
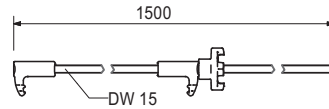
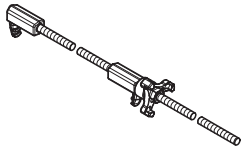
L	X
1420	1500
3420	3500



Item no.	Weight kg
117576	1,000

Coupling VD

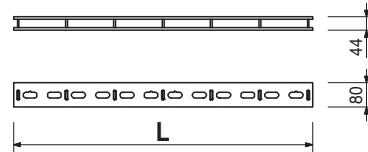
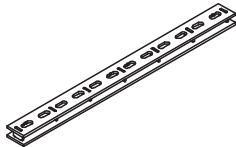
For longitudinal connection of Slab Tables VD.



013010	9,000
--------	-------

Coupling VKZ 99

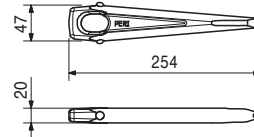
For connection of SRZ and SRU steel walers.



024240	0,805
--------	-------

Wedge KZ, galv.

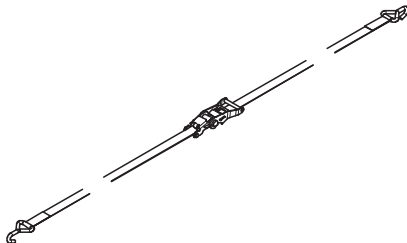
For connecting panels with VARIO Couplings or Tie Yoke SKZ.



107895	1,430
--------	-------

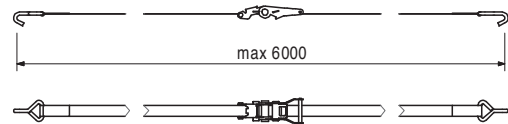
Tension Belt STLB

For fixing of Single Roller STE at SKYTABLE.



Note

2 pieces required per Single Roller STE.



VARIODECK Steel Waler Slab Table

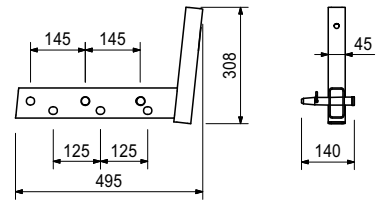
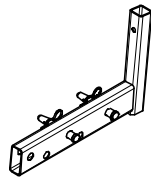
Item no.	Weight kg
104131	3,940

Guardrail Holder SRU/SRZ

For assembling a guardrail to the Steel Walers SRU and SRZ, Profile U 100 to U 140.

Complete with

2 pc. 105400 Bolt Ø 20 x 140, galv.
2 pc. 018060 Cotter Pin 4/1, galv.



Accessories

061260	6,150
--------	-------

Guardrail Post SGP

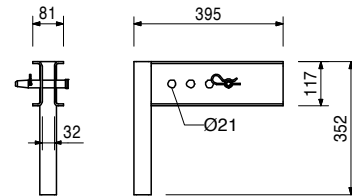
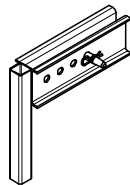
101290	5,670
--------	-------

Guardrail Holder GT 24 / VT 20

For assembling a guardrail on GT 24 and VT 20 girders.

Complete with

1 pc. 105400 Bolt Ø 20 x 140, galv.
1 pc. 018060 Cotter Pin 4/1, galv.



Accessories

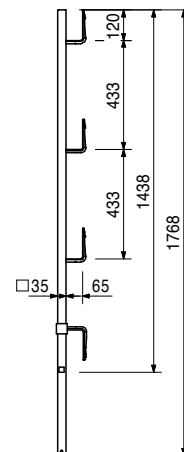
061260	6,150
--------	-------

Guardrail Post SGP

061260	6,150
--------	-------

Guardrail Post SGP

As guardrail for different systems.



VARIODECK Steel Waler Slab Table



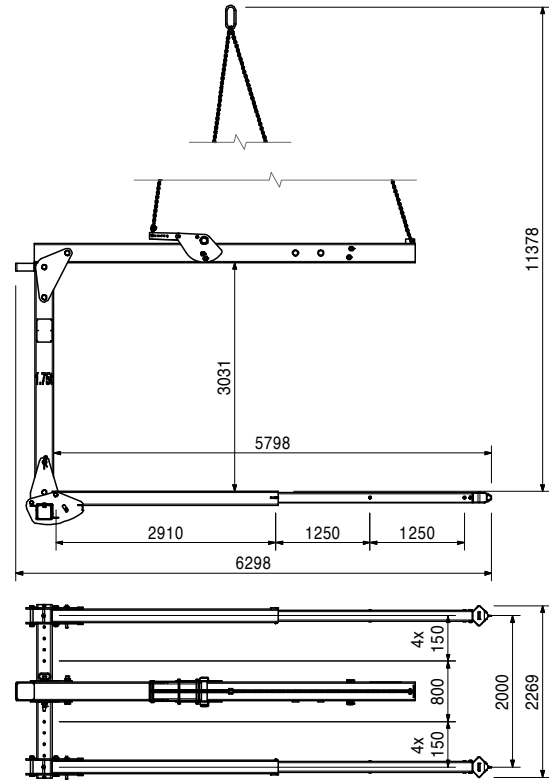
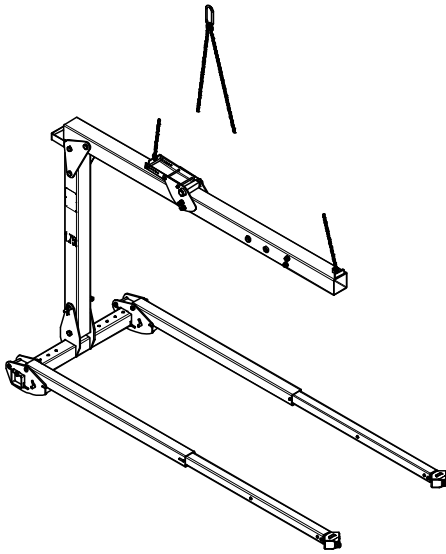
Item no.	Weight kg
103212	1610,000

Lifting Fork 1.75 t / 8.0 m

For moving PERI Slab Tables. Table length up to 8.0 m

Safety Instructions

Follow Instructions for Use at all times!
Load-carrying capacity 1.75 t.



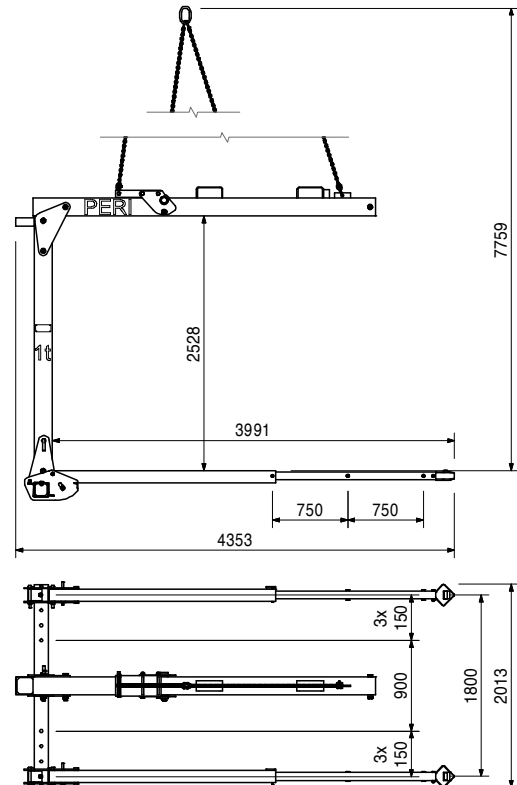
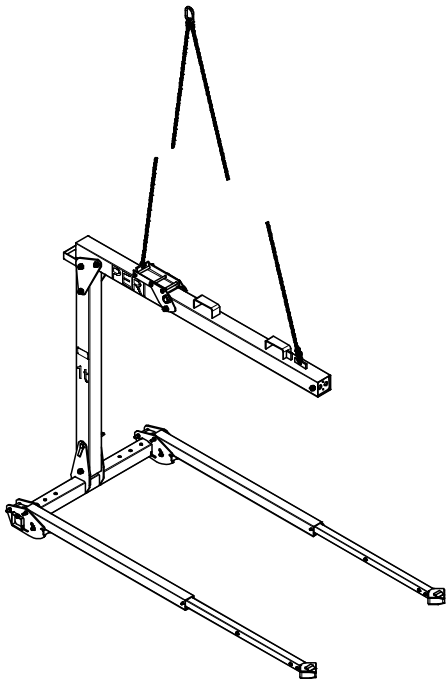
Item no.	Weight kg
101862	575,000

Lifting Fork 1 t / 5.0 m

For moving PERI Slab Tables. Table length up to 5.0 m

Safety Instructions

Follow Instructions for Use at all times!
Load-carrying capacity 1.0 t.



VARIODECK Steel Waler Slab Table

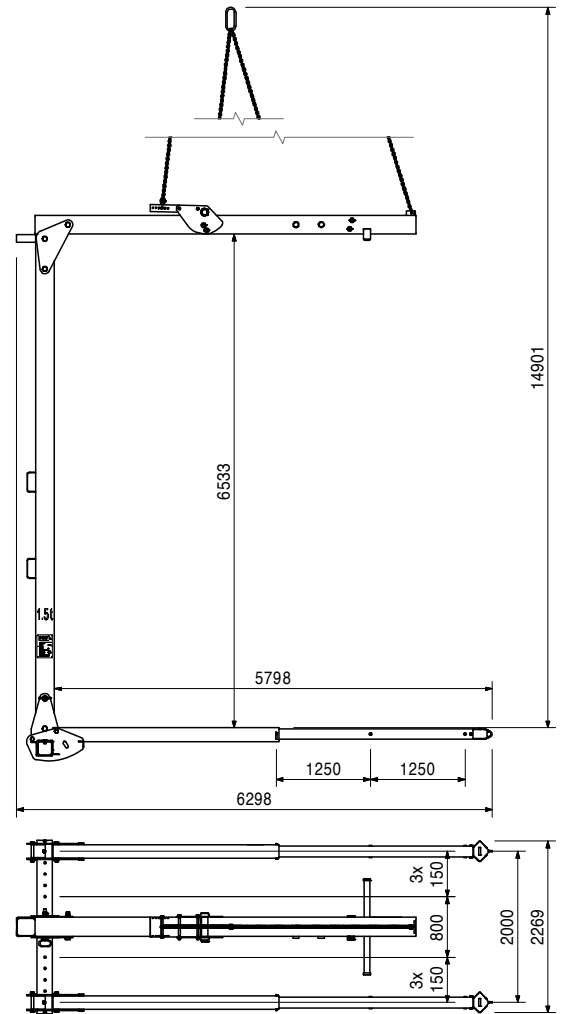
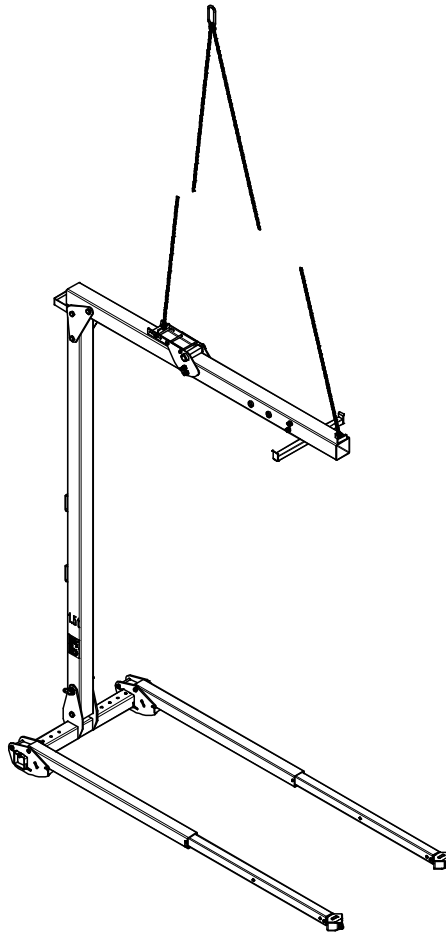


Item no.	Weight kg
115865	1840,000

Lifting Fork 1.5 t / 8.0 m / 6.6 m
For moving PERI Slab Tables.

Safety Instructions

Follow Instructions for Use at all times!
Load-carrying capacity 1.5 t.



Item no.	Weight kg
028710	433,000
028715	428,000

Table Trolleys 2 t

Table Trolley 2 t, l = 2.00 m

Table Trolley 2 t, l = 1.70 m

For moving PERI Slab Tables. Not approved for transporting site personnel! Only move on clean and flat surfaces with a sufficient load-bearing capacity.

Technical Data

Utilisation height 1.45 m up to 3.20 m

With Extension 100 up to 4.20 m

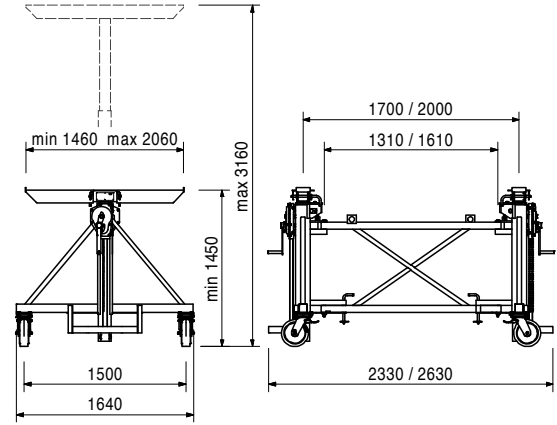
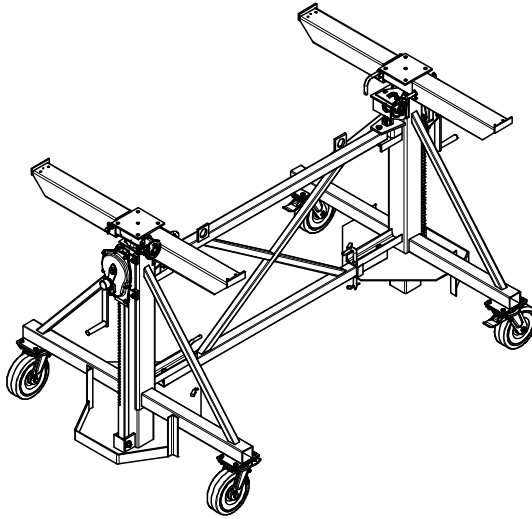
With Extension 100 und Extension 60 up to 4.80 m.

Safety Instructions

Follow Instructions for Use at all times!

Lifting equipment according to BGV D8.

Load-carrying capacity per winch 1.0 t.



102251	26,200
101854	21,200

Accessories

Central cross 200

Central cross 170

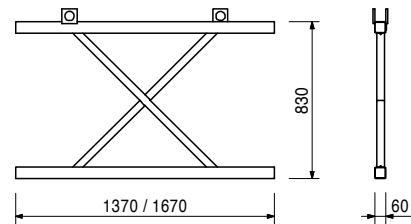
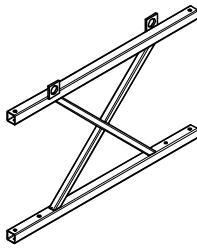
102251	26,200
101854	21,200

Central Crosses

Central cross 200

Central cross 170

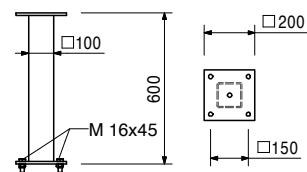
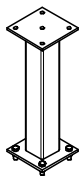
For Table Trolley 2 t, l = 2.00 m or 1.70 m.



104050	15,100
--------	--------

Extension 60 for Table Trolley

2 pieces per Table Trolley. With the Extension 60 and Extension 100, the working height of the trolley increases: min. height 3.05 m, max. height 4.80 m



VARIODECK Steel Waler Slab Table

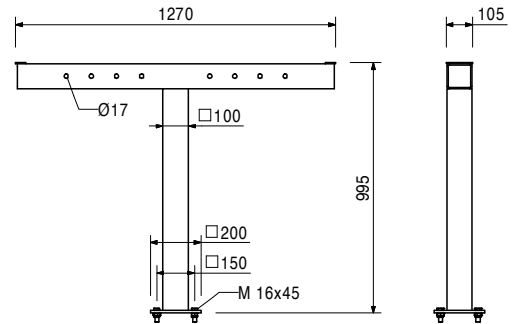
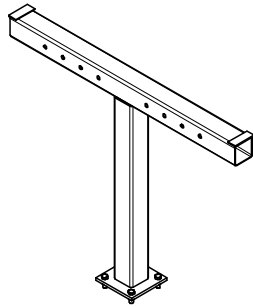


Item no.	Weight kg
028720	34,600

Attachment 100 for Table Trolley

2 pieces per Table Trolley. Use telescopic arm of the trolley.

With the Extension 100, the working height of the trolley increases: min. height 2.45 m, max. height 4.20 m



108108	1460,000
--------	----------

Table Lift Truck PTL 1250

For moving PERI slab tables. Not approved for transporting site personnel! Only move on clean and flat surfaces with a sufficient load-bearing capacity.

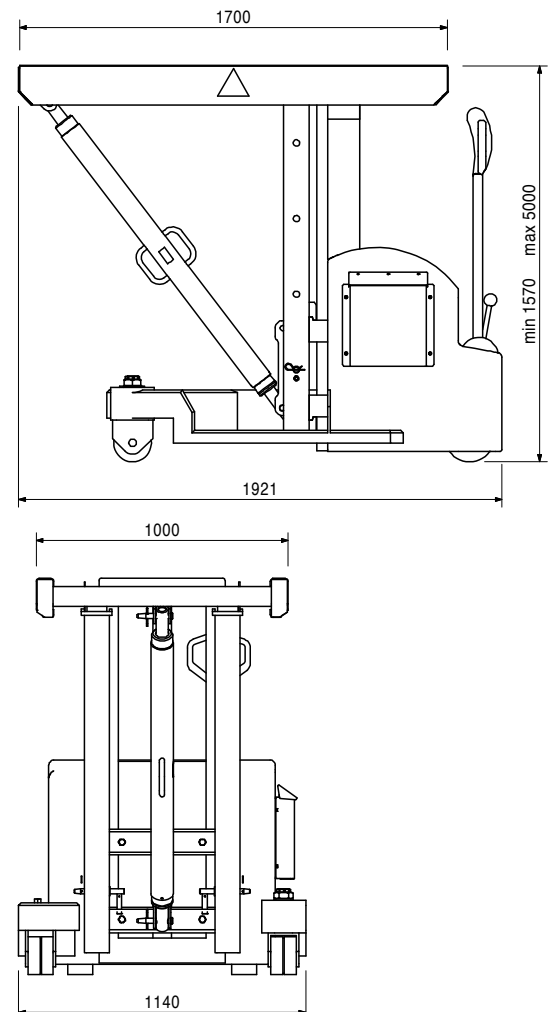
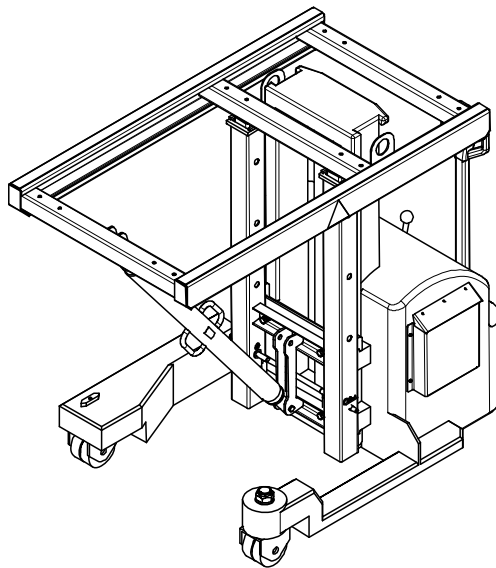
Technical Data

Utilisation height 1.60 m up to 5.00 m. Required voltage for charging process 230 V, 50/60 Hz.

Safety Instructions

Follow instructions for use at all times!

Floor conveyor vehicle, load-carrying capacity 1.25 t.



VARIODECK Steel Waler Slab Table

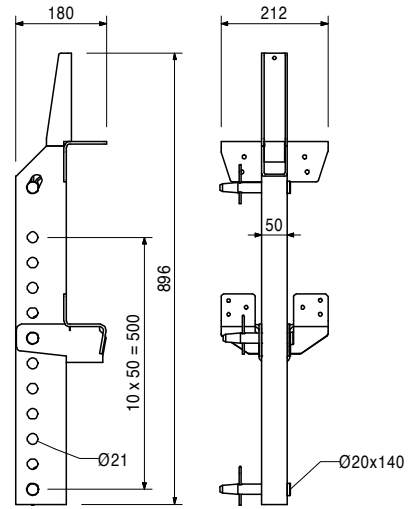
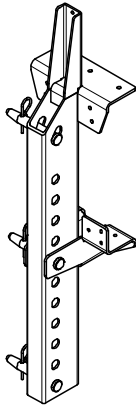


Item no.	Weight kg
117520	10,600

Internal Bracket Beam Formwork VD
For forming beams with Tables VD.

Complete with

- 3 pc. 105400 Bolt \varnothing 20 x 140, galv.
- 3 pc. 018060 Cotter Pin 4/1, galv.

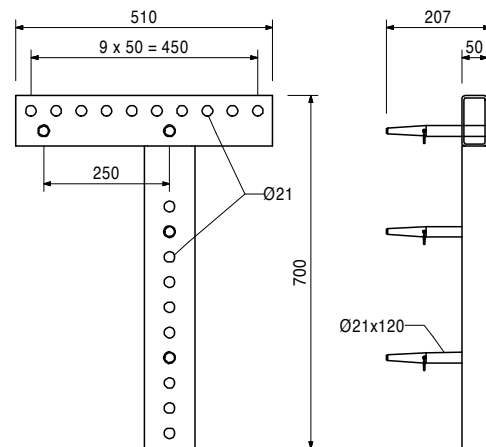
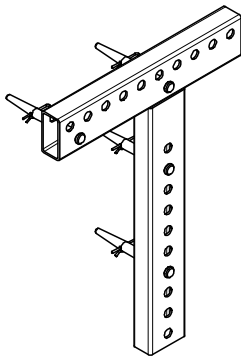


117519	11,200
--------	--------

Connection Beam Formwork VD
For forming beams with Tables VD.

Complete with

- 4 pc. 104031 Bolt \varnothing 21 x 120
- 4 pc. 018060 Cotter Pin 4/1, galv.





01 PERI GmbH
 Rudolf-Diesel-Strasse
 89264 Weissenhorn
 info@peri.com
 www.peri.com



02 France
 PERI S.A.S.
 77109 Meaux Cedex
 peri.sas@peri.fr
 www.peri.fr

03 Switzerland
 PERI AG
 8472 Ohringen
 info@peri.ch
 www.peri.ch

04 Spain
 PERI S.A.
 28110 Algete - Madrid
 info@peri.es
 www.peri.es

05 Belgium/Luxembourg
 N.V. PERI S.A.
 1840 Londerzeel
 info@peri.be
 www.peri.be

06 Netherlands
 PERI B.V.
 5480 AH-Schijndel
 info@peri.nl
 www.peri.nl

07 USA
 PERI Formwork Systems, Inc.
 Elkridge, MD 21075
 info@peri-usa.com
 www.peri-usa.com

08 Indonesia
 PT Beton Perkasa Wijaksana
 Jakarta 10210
 bpw@betonperkasa.com
 www.peri.com

09 Italy
 PERI S.p.A.
 20060 Basiano
 info@peri.it
 www.peri.it

10 Japan
 PERI Japan K.K.
 Tokyo 103-0015
 info@perijapan.jp
 www.perijapan.jp

11 United Kingdom/Ireland
 PERI Ltd.
 Rugby, CV23 0AN
 info@peri.ltd.uk
 www.peri.ltd.uk

12 Turkey
 PERI Kalıp ve İskeleleri
 Esenyurt / İstanbul 34510
 info@peri.com.tr
 www.peri.com.tr

13 Hungary
 PERI Kft.
 1181 Budapest
 info@peri.hu
 www.peri.hu

14 Malaysia
 PERI Formwork Malaysia
 Sdn. Bhd.
 43300 Seri Kembangan,
 Selangor Darul Ehsan
 info@perimalaysia.com
 www.perimalaysia.com

15 Singapore
 PERI ASIA Pte. Ltd
 Singapore 387355
 pha@periasia.com
 www.periasia.com

16 Austria
 PERI Ges.mbh
 3134 Nußdorf ob der Traisen
 office@peri.at
 www.peri.at

17 Czech Republic
 PERI spol. s r.o.
 252 42 Jesenice u Prahy
 info@peri.cz
 www.peri.cz

18 Denmark
 PERI Danmark A/S
 2670 Greve
 peri@peri.dk
 www.peri.dk

19 Finland
 PERI Suomi Ltd. Oy
 05460 Hyvinkää
 info@perisuomi.fi
 www.perisuomi.fi

20 Norway
 PERI Norge AS
 3036 Drammen
 info@peri.no
 www.peri.no

21 Poland
 PERI Polska Sp. z o.o.
 05-860 Płochocin
 info@peri.pl.pl
 www.peri.pl.pl

22 Sweden
 PERIform Sverige AB
 30013 Halmstad
 peri@periform.se
 www.periform.se

23 Korea
 PERI (Korea) Ltd.
 Seoul 135-080
 info@perikorea.com
 www.perikorea.com

24 Portugal
 PERIcofragens Lda
 2790-326 Queijas
 info@peri.pt
 www.peri.pt

25 Argentina
 PERI S.A.
 B1625GPA Escobar – Bs. As.
 info@peri.com.ar
 www.peri.com.ar

26 Brazil
 PERI Formas e
 Escoramentos Ltda.
 Vargem Grande Paulista
 São Paulo
 info@peribrasil.com.br
 www.peribrasil.com.br

27 Chile
 PERI Chile Ltda.
 Colina, Santiago de Chile
 peri.chile@peri.cl
 www.peri.cl

28 Romania
 PERI România SRL
 077015 Balotești
 info@peri.ro
 www.peri.ro

29 Slovenia
 PERI Slovenien
 2000 Maribor
 peri.slo@triera.net
 www.peri.com

30 Slovakia
 PERI spol. s r.o.
 903 01 Senec
 info@peri.sk
 www.peri.sk

31 Australia
 PERI Australia Pty. Ltd.
 Glendenning NSW 2761
 info@periaus.com.au
 www.periaus.com.au

32 Estonia
 PERI AS
 76406 Saku vald
 Harjumaa
 peri@peri.ee
 www.peri.ee

33 Greece
 PERI Hellas Ltd.
 194 00 Koropi
 info@perihellas.gr
 www.perihellas.gr

34 Latvia
 PERI SIA
 2118 Salaspils novads,
 Rigas rajons
 info@peri-latvija.lv
 www.peri-latvija.lv

35 United Arab Emirates
 PERI (L.L.C.)
 Dubai
 perillc@perime.com
 www.perime.com



- 36 Canada**
PERI Formwork Systems, Inc.
Bolton, ON – L7E 1K1
info@peri.ca
www.peri.ca
- 37 Lebanon**
Lebanon Representative Office
Jdeideh
lebanon@peri.de
www.peri.de
- 38 Lithuania**
PERI UAB
02300 Vilnius
info@peri.lt
www.peri.lt
- 39 Morocco**
PERI S.A.
Tanger
peri25@menara.ma
www.peri.com
- 40 Israel**
PERI Formwork
Engineering Ltd
Petach Tikva, 49002
info@peri.co.il
www.peri.co.il
- 41 Bulgaria**
PERI Bulgaria EOOD
1839 Sofia
peri.bulgaria@peri.bg
www.peri.bg
- 42 Iceland**
Armar ehf.
220 Hafnarfjörður
www.armor.is
- 43 Kazakhstan**
TOO PERI Kazakhstan
050010 Almaty
peri@peri.kz
www.peri.kz
- 44 Russian Federation**
OOO PERI
142403 Noginsk
moscow@peri.ru
www.peri.ru
- 45 South Africa**
Wiehahn Formwork and
Scaffolding (Pty) Ltd.
7600 Stellenbosch
info@wiehahn.co.za
www.wiehahn.co.za
- 46 Ukraine**
TOW PERI Ukraina
07400 Brovary
peri@peri.ua
www.peri.ua
- 47 Egypt**
Egypt Branch Office
11361 Heliopolis / Cairo
info@peri.com.eg
www.peri.com.eg
- 48 Serbia**
PERI Oplate d.o.o.
11272 Dobanovci
office@peri.co.yu
www.peri.co.yu
- 49 Mexico**
PERI Cimbras y Andamios,
S.A. de C.V.
Estado de México,
info@peri.com.mx
www.peri.com.mx
- 50 Azerbaijan**
PERI Kalıp ve İskeleleri
Baku
peribaku@peri.com.tr
www.peri.com.tr
- 51 Turkmenistan**
PERI Kalıp ve İskeleleri
Aşgabat
ahmet.kadioglu@peri.com.tr
www.peri.com.tr
- 52 Belorussia**
PERI Belarus
220030 Minsk
peri@mail.belpak.by
www.peri.com
- 53 Croatia**
PERI oplate i skele d.o.o.
10 250 Donji Stupnik/
Zagreb
info@peri.com.hr
www.peri.com.hr
- 54 Iran**
PERI GmbH
Iran Branch Office
Tehran
info@peri.ir
www.peri.ir
- 55 India**
PERI (India) Pvt Ltd
Mumbai – 400064
info@peri.in
www.peri.in
- 56 Jordan**
PERI GmbH - Jordan
11947 Amman
jordan@peri.com
www.peri.com
- 57 Kuwait**
PERI Kuwait
13011 Kuwait
kuwait@peri.com
www.peri.com
- 58 Saudi Arabia**
PERI Engineering
Division of Jamjoom
Consult Saudi Arabia
21463 Jeddah
info@peri.com.sa
www.peri.com.sa
- 59 Qatar**
PERI Qatar LLC
Doha
info@periqatar.com
www.periqatar.com
- 60 Algeria**
Société PERI S.A.S.
Kouba - Alger
peri.alger@peri.fr
www.peri.fr
- 61 Albania**
PERI Sh.p.k.
Tirane
erti.hasanaj@peri.com.tr
www.peri.com.tr
- 62 Peru**
PERI Peruana SAC
Chorrillos, Lima
contacto@peri.com.pe
www.peri.com.pe
- 63 Panama**
PERI Panama Inc.
587 Panama City
info@peri.com.pa
www.peri.com.pa
- 64 Angola**
PERIcofragens, Lda.
Luanda
renato.portugal@peri.pt
www.peri.pt
- 65 Nigeria**
Heights Access Nigeria Ltd.
Victoria Island, Lagos
info@heightsaccessng.com
www.heightsaccessng.com
- 66 Oman**
PERI (L.L.C.)
Muscat
perimct@perime.com
www.perime.com

PERI Product Range



Wall Formwork

Panel Formwork
Girder Formwork
Circular Formwork
Facade Formwork
Brace Frame



Climbing Systems

Climbing Scaffold
Self-Climbing System
Climbing Protection Panel
Platform Systems



Column Formwork

Square
Rectangular
Circular



Scaffold, Stairways, Working Platforms

Facade Scaffold
Working Platform
Weather Protection Roof
Stairway Access



Slab Formwork

Panel Formwork
Beam Grid Formwork
Girder Formwork
Slab Table
Beam Formwork



Bridge and Tunnel Formwork

Cantilevered Parapet Carriage
Cantilevered Parapet Platform
Engineer's Construction Kit



Shoring Systems

Steel Slab Props
Aluminium Slab Props
Tower Systems
Heavy-Duty Props



Services

Formwork Assembly
Cleaning / Repairs
Formwork Planning
Software
Statics
Special Constructions

Additional Systems
Plywood
Formwork Girders
Stopend Systems
Pallets
Transportation Containers



PERI GmbH Formwork Scaffolding Engineering

P.O. Box 1264
89259 Weissenhorn
Germany
Tel +49 (0)73 09.9 50-0
Fax +49 (0)73 09.9 51-0
info@peri.com
www.peri.com